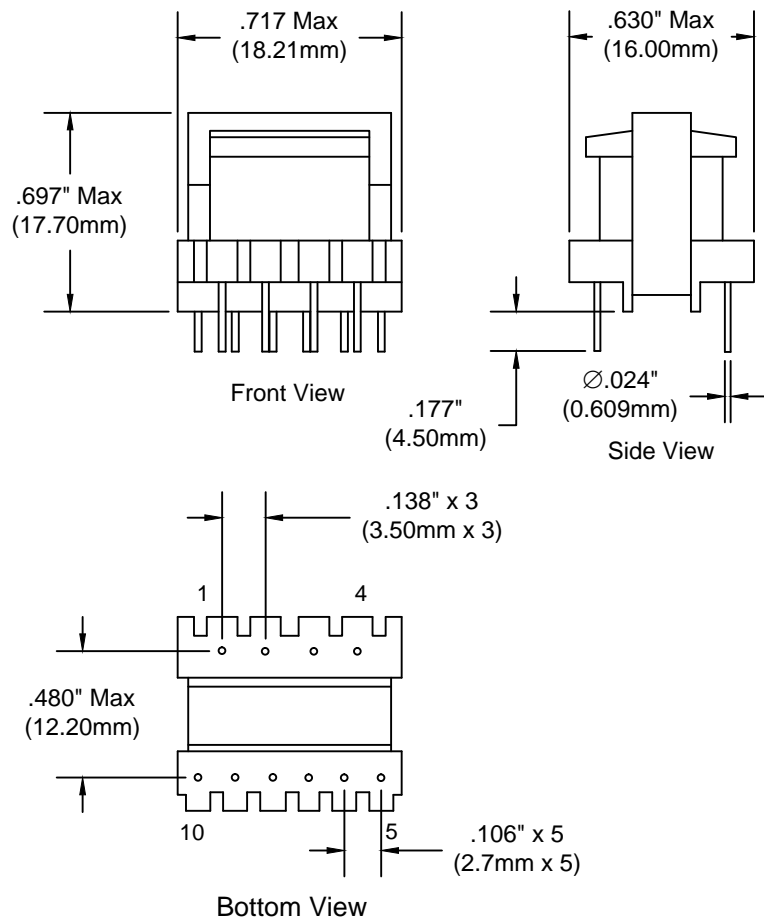


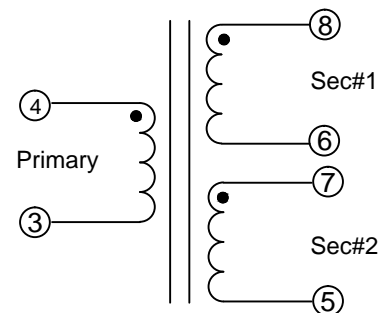
- SWITCHMODE THRU-HOLE TRANSFORMER DESIGNED FOR USE WITH POWER INTEGRATIONS TNY255 TINYSWITCH APPLICATION.
- PER EN60950, >5.0mm.
- 5.5W MAXIMUM.



REVISIONS			
DATE	REV	DESCRIPTION	APPV'D
12/03/2015	-1	Corrected length and pin diameter, were 18.2mm & .6mm	Tjk

Electrical Specifications:

Turns Ratio Pri : Sec#1 : Sec#2 = 1 : 0.056 : 0.056  
 DC Resistance Pri: 2.00 - 3.00Ω  
 DC Resistance Each Sec: 0.023 - 0.035Ω  
 Lpri (3 - 4) : 2.03 mH +/- 10% @ 10 KHz  
 Leakage Inductance (3 - 4) , : 100 μH Max @ 100 KHz  
 Secondary windings shorted  
 Dielectric Strength : 4000 Vrms Pri-Sec  
 Bobbin Material : UL 94-V0  
 Pri-Sec Creepage Distance Per EN60950 >5.0mm;  
 Reinforced Insulation; 250Vrms working voltage



		CUSTOM ENGINEERED MAGNETIC COMPONENTS Johnsburg, Illinois 3521 N.CHAPEL HILL RD. / McHENRY, ILLINOIS 60051	
		SCALE : 1 : 2.25	APPROVED BY : <i>Gary Garcia</i>
DATE : 10/02/02		REVISED :	
<b>Ac to Dc Converter Transformer p/n SPP-3005</b>			
Designed for Tny255 Chip up to 5.5W; Ac: 85 - 265Vac, 2 DC outputs from 3.3Vdc up to 6Vdc or 1 DC output from 6Vdc up to 18Vdc			DRAWING NUMBER <b>A-3005 -1</b>